

Ryan Aeronautical Company Model 72

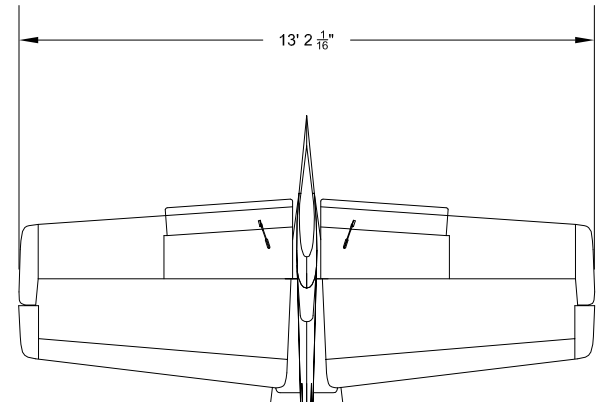
During the 1953 evaluation by the US Navy the Model 72 (and the other competitors) were put through a series of tests, including a period of use by actual students and instructors. Twelve student pilots from various backgrounds, including the US Marine Corps., were partnered with four instructors. The students were broken into groups of four, and assigned to a specific trainer. The instructors were rotated between planes to gather comments from experienced pilots.

The students knew they were part of the trainer's evaluation, and most of their flight training, and all of their ground training was to be performed on the North American SNJ - the Navy's standard trainer.

Naturally Ryan put a great deal of effort into promoting the Model 72's side-by-side seating arrangement. This arrangement was preferred by both instructors and students as it allowed them to see and show each other's actions.

Spins and aerobatic flight was common during flight training, although at least one student commented that the Model 72 was, "too stable, and you had to work at spins, etc."

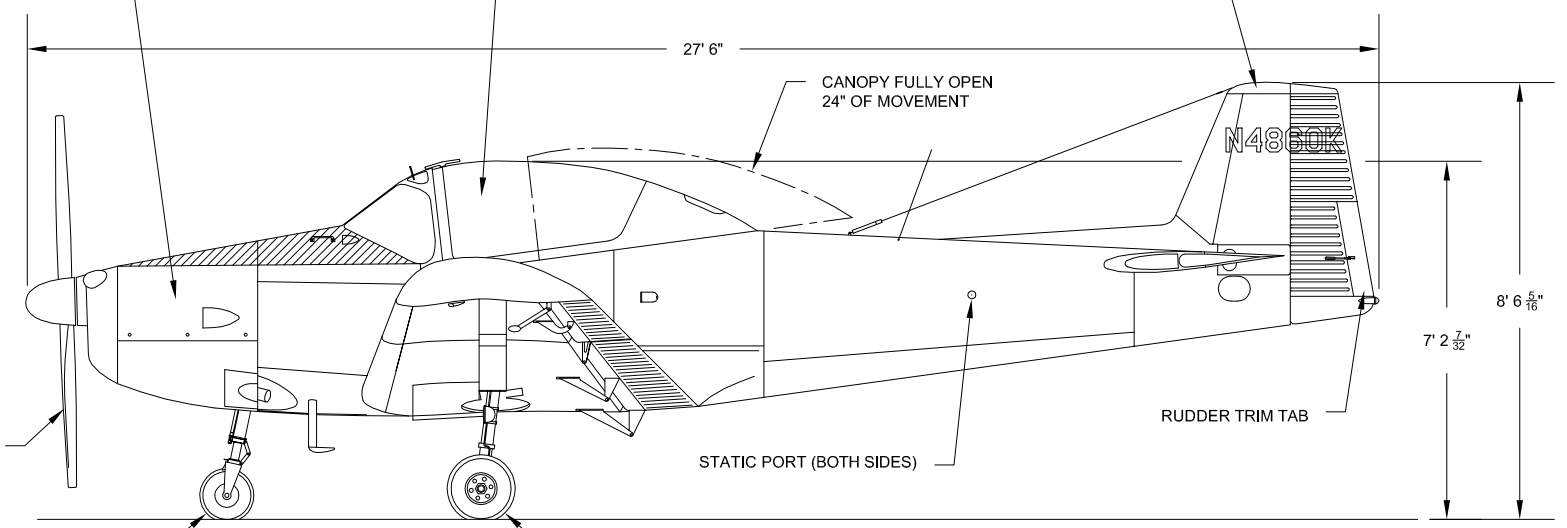
In the end, the US Navy selected the Beech T-34 Mentor as their primary trainer. Some attribute this decision to Ryan already having military contracts for experimental V/STOL aircraft. Logically, Beech was already producing the Mentor for the US Air Force, and inter-service commonality was probably a major factor in the competition's outcome.



LYCOMING GO-435 C2B ENGINE
260HP / 240HP (MAX CONTINUOUS)
WITH ADDITIONAL AIRSCOOPS

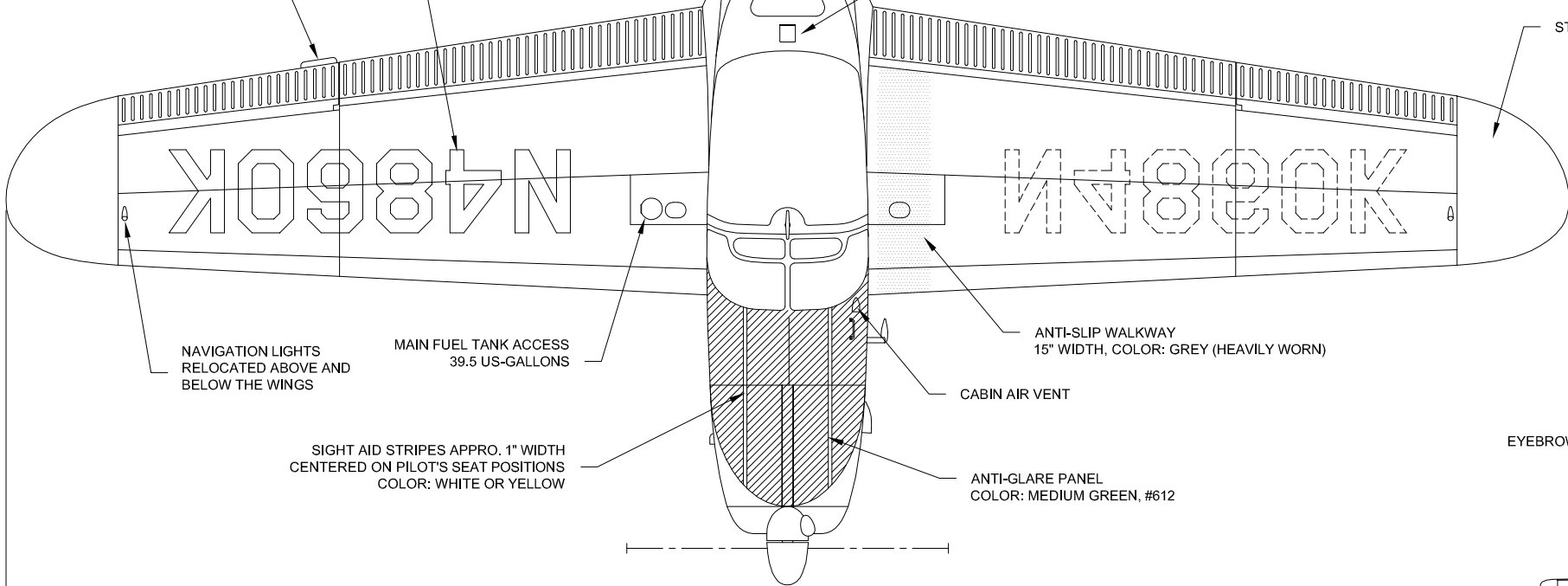
SLIDING CANOPY WITH BLOWN PLEXIGLAS

SHORT VERTICAL STABILIZER FIN CAP



REGISTRATION: 24" HEIGHT
CENTERED ON THE UPPER RH WING
COLOR: IVORY

FIXED METAL TRIM TAB



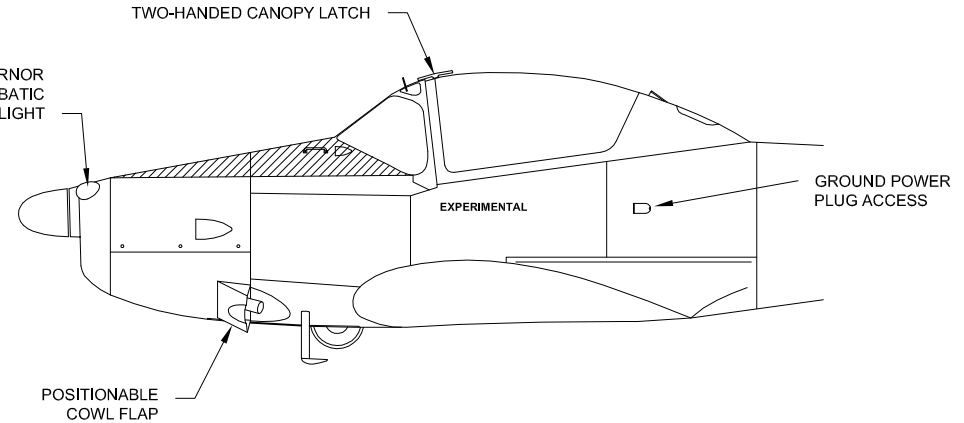
6.00x6 NOSE WHEEL
(CASTORING)

7.00x8 MAIN WHEEL
DIFFERENTIAL BRAKING FOR STEERING

5' 8 3/8"

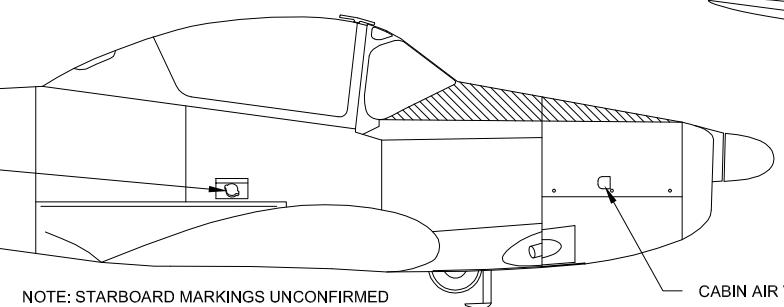


TWO-HANDED CANOPY LATCH



US NAVY EVALUATION CONFIGURATION Pensacola, Florida (1953)

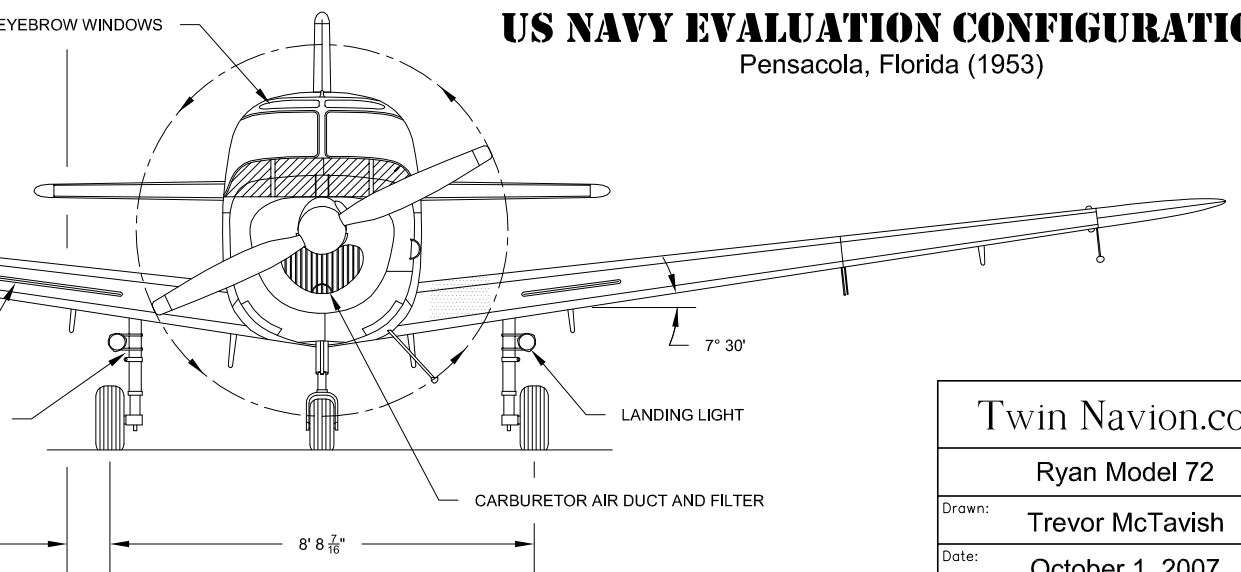
UNDER SEAT AUXILIARY FUEL
TANK ACCESS 20 US-GALLONS



37' 7"

LEADING EDGE STALL STRIP

LANDING GEAR COLOR: SILVER



Twin Navion.com	
Ryan Model 72	
Drawn:	Trevor McTavish
Date:	October 1, 2007
Scale:	1/48
Sheet:	2/2